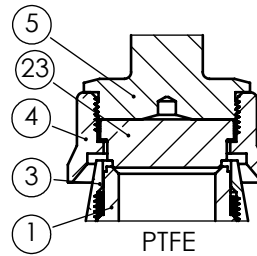
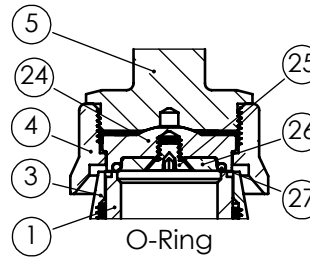
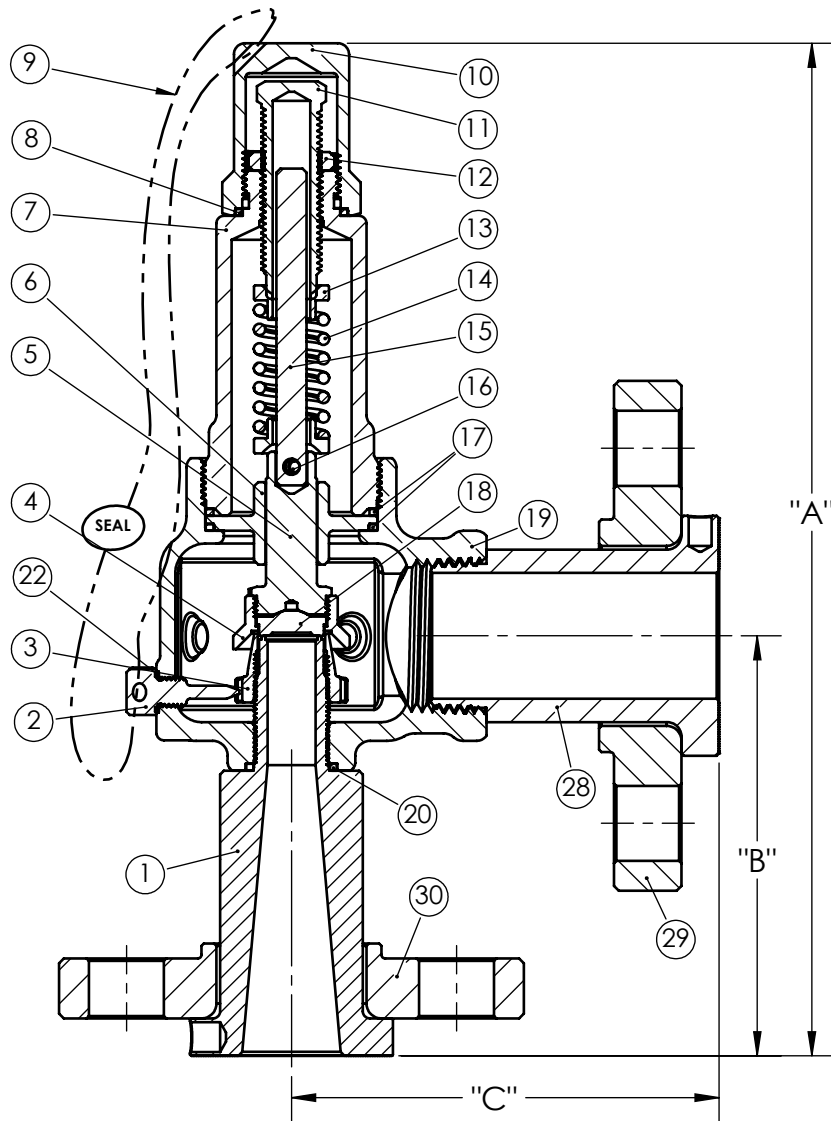


Aquatrol Inc. is the owner of this print and design thereon

Safety Relief Valve for Air / Gas / Steam / Liquid
 Certifications: ASME - NB Section VIII, PED/CE, CRN



| Item | Desc. | Material |
|------|----------------------|-----------------------|
| 1 | Lap Joint Nozzle | SA479-316, SS |
| 2 | Ring Lock Screw | SA479-316, SS |
| 3 | Lower Ring | SA351-CF8M, SS |
| 4 | Disc Holder | SA479-316, SS |
| 5 | Disc Holder Shaft | SA479-316, SS |
| 6 | Disc Guide | SA479-316, SS |
| 7 | Bonnet | SA479-316, SA351-CF8M |
| 8 | Hood Seal | PTFE |
| 9 | Seal Wire | Stainless / Lead |
| 10 | Hood | SA479-316, SS |
| 11 | Pressure Screw | SA479-316, SS |
| 12 | Lock Nut | SA479-316, SS |
| 13 | Spring Plate | SA479-316, SS |
| 14 | Spring | 17-7 SS |
| 15 | Spring Post | SA479-316, SS |
| 16 | Spring Pin | 18-8, SS |
| 17 | Disc Guide Seals (2) | PTFE |
| 18 | Disc | SA479-316, SS |
| 19 | Body | SA351-CF8M, SS |
| 20 | Nozzle Seal | PTFE |
| 21 | Nameplate | Stainless |
| 22 | Lock Screw Seal | PTFE |
| 28 | Outlet Fitting | SA479-316, SS |
| 29 | Lap Joint Flange | A182 - F316 |
| 30 | Lap Joint Flange | A182 - F316 |

| Orifice | Connection | | Dimensions | | | |
|---------|------------|-------------|------------|------------|----------------|------------|
| | Inlet 150# | Outlet 150# | Closed Cap | Lift Lever | Center to Face | |
| | | | "A" | "A" | "B" Inlet | "C" Outlet |
| D | 1/2" | 1" | 9-5/8" | 10-1/4" | 4-5/8" | 4-1/4" |
| D | 3/4" | 1" | 9-5/8" | 10-1/4" | 4-5/8" | 4-1/4" |
| D | 1" | 1" | 11-1/2" | 12-1/8" | 6-1/2" | 4-1/4" |
| E | 3/4" | 1" | 10-3/16" | 10-7/8" | 4-5/8" | 4-1/4" |
| E | 3/4" | 1-1/4" | 10-3/16" | 10-7/8" | 4-5/8" | 4-1/4" |
| E | 1" | 1-1/4" | 10-3/16" | 10-7/8" | 4-5/8" | 4-1/4" |
| F | 1" | 1-1/2" | 11" | 11-5/8" | 4-5/8" | 4-5/8" |
| F | 1-1/2" | 1-1/2" | 12-7/8" | 13-1/2" | 4-5/8" | 4-5/8" |
| G | 1-1/4" | 2" | 12-3/8" | 13" | 5-5/8" | 4-3/4" |
| G | 2" | 2" | 14" | 14-1/2" | 7-1/8" | 6-1/2" |
| H | 1-1/2" | 2-1/2" | 14" | 14-5/8" | 5-7/8" | 5-3/8" |
| J | 2" | 3" | 16-5/8" | 17-1/8" | 6-1/2" | 6" |

ASME B16.5 Lap Joint flanges
 All outlet flanges are class 150
 "B" and "C" dimensions can be customized
 Serrated or smooth faces (Customer specified)

Maximum backpressure:
 50 P.S.I. or 10% of set pressure (whichever is less)

| Series 743 Seating Options | | |
|----------------------------|-------------|---------------|
| ITEM | Description | Material |
| 23 | Disk | PTFE |
| 24 | O-Ring Disk | SA479-316, SS |
| 25 | Screw | 18-8 |
| 26 | Disk Insert | SA479-316, SS |
| 27 | O-Ring | Various |

Revised 3/22/2019

| | | |
|--------------|-----------|---------------------------------|
| PART NAME | | Series 743 |
| Date: | 8/27/2018 | Part Number 743-01-FL |
| Drawn by: | | |
| Approved by: | | |